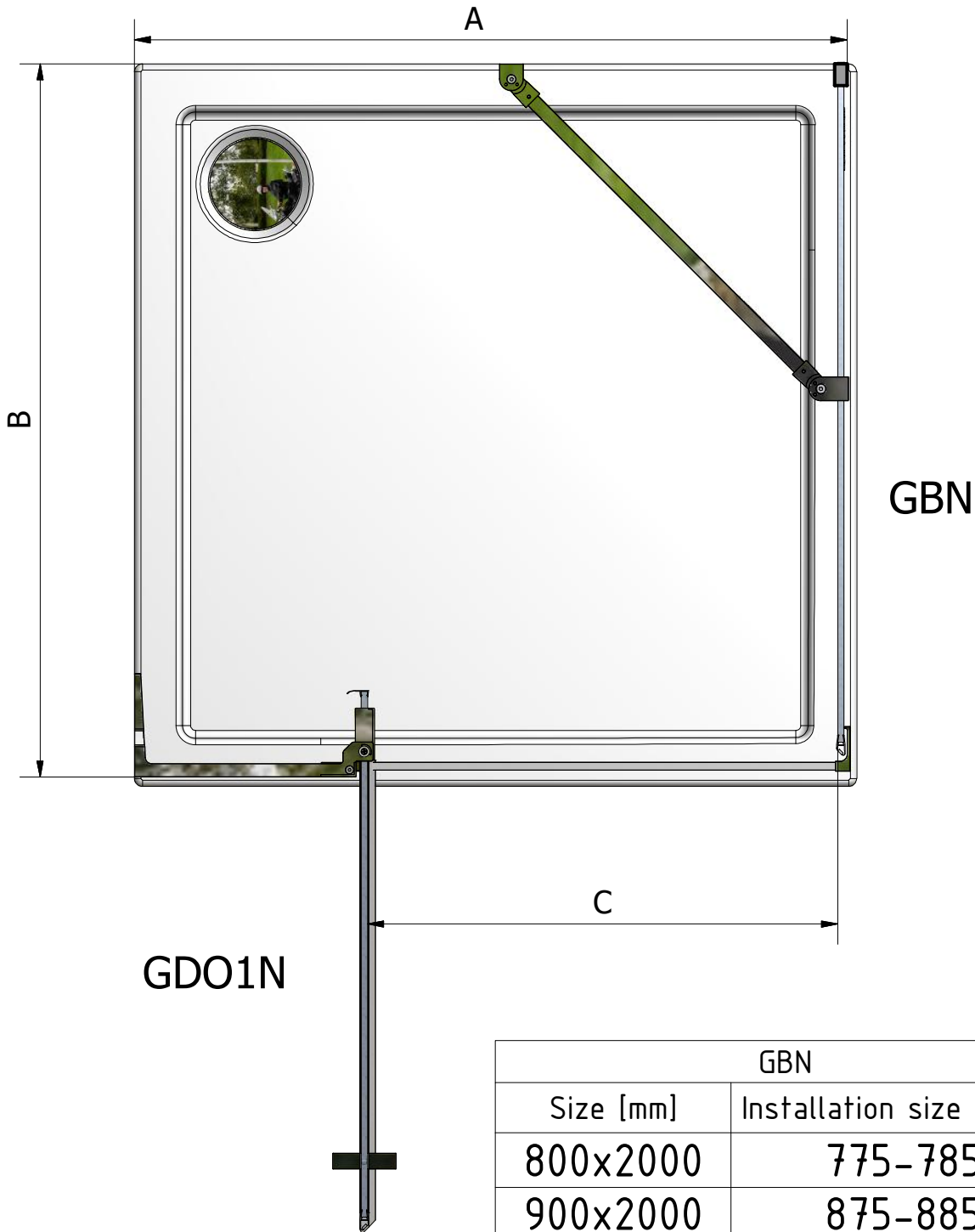


GBN



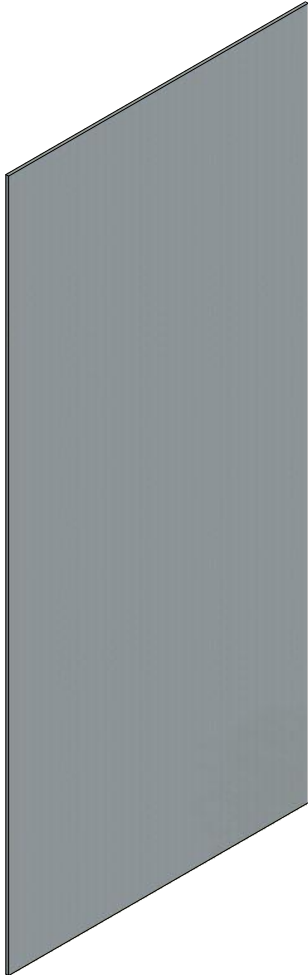
GBN+GDO1N



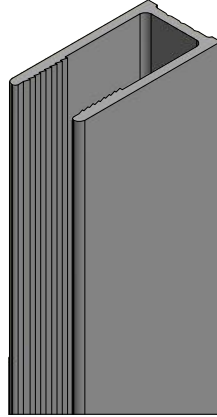
GBN	
Size [mm]	Installation size B [mm]
800x2000	775-785
900x2000	875-885
1000x2000	975-985

GBN+GDO1N		
Size [mm]	Installation size A [mm]	Entrance size C [mm]
700-800x2000	685-785	380-480
800-900x2000	785-885	480-580
900-1000x2000	885-985	580-680
1000-1100x2000	985-1085	680-780
1100-1200x2000	1085-1185	780-880

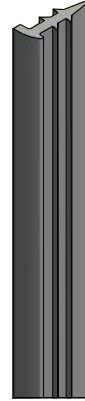
1. 1x
V223



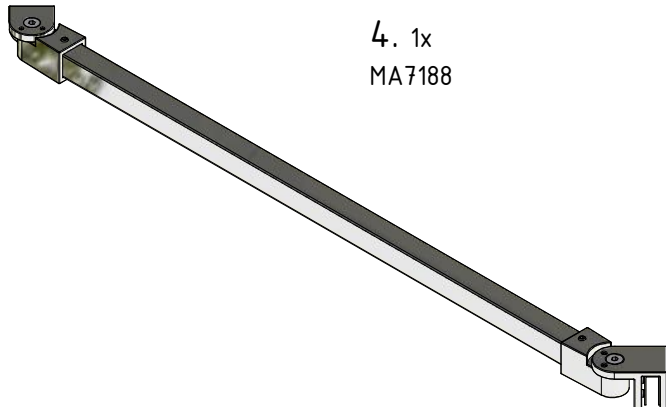
2. 1x
MA7971



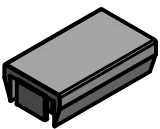
3. 1x
MA7186



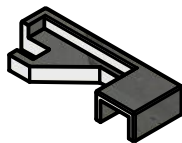
4. 1x
MA7188



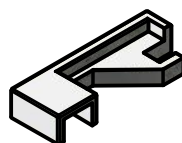
5. 1x
MA7973



6. 1x
MA7189



. 1x
MA7231



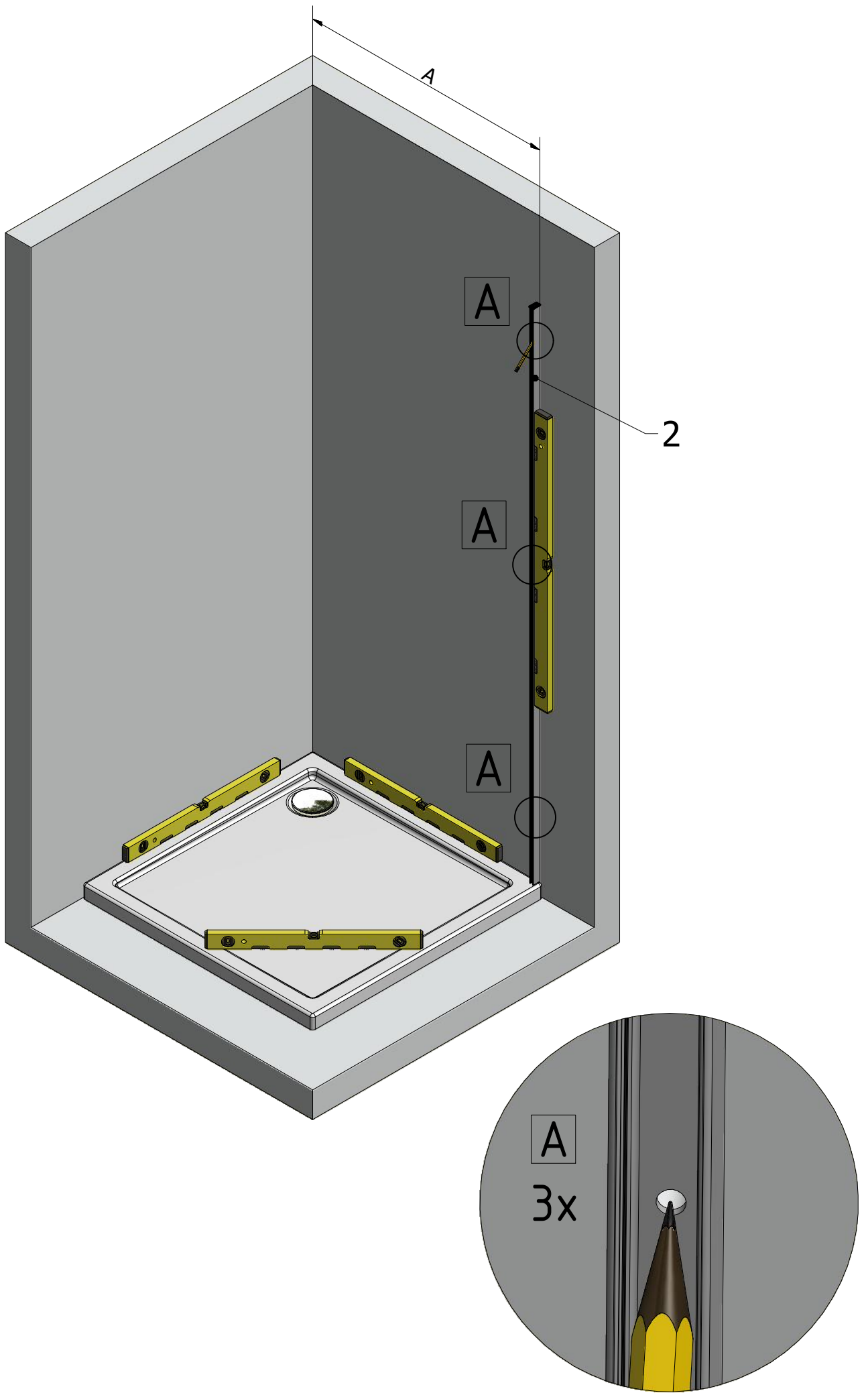
USE ONLY FOR
GBN + GDO1N
VARIANT

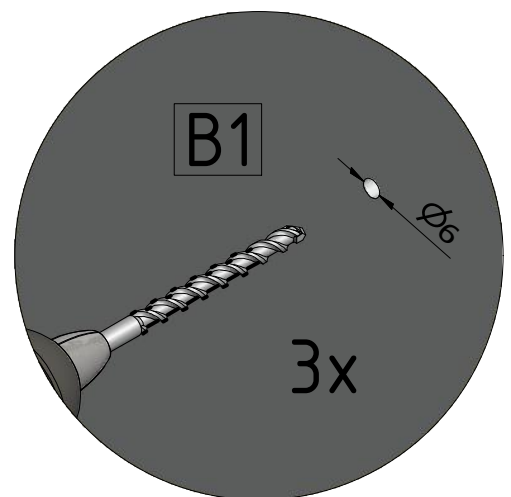
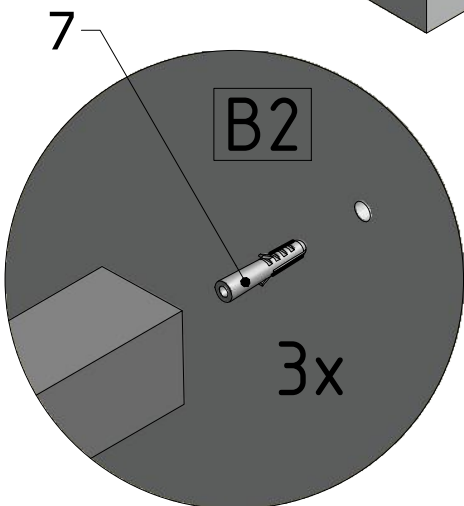
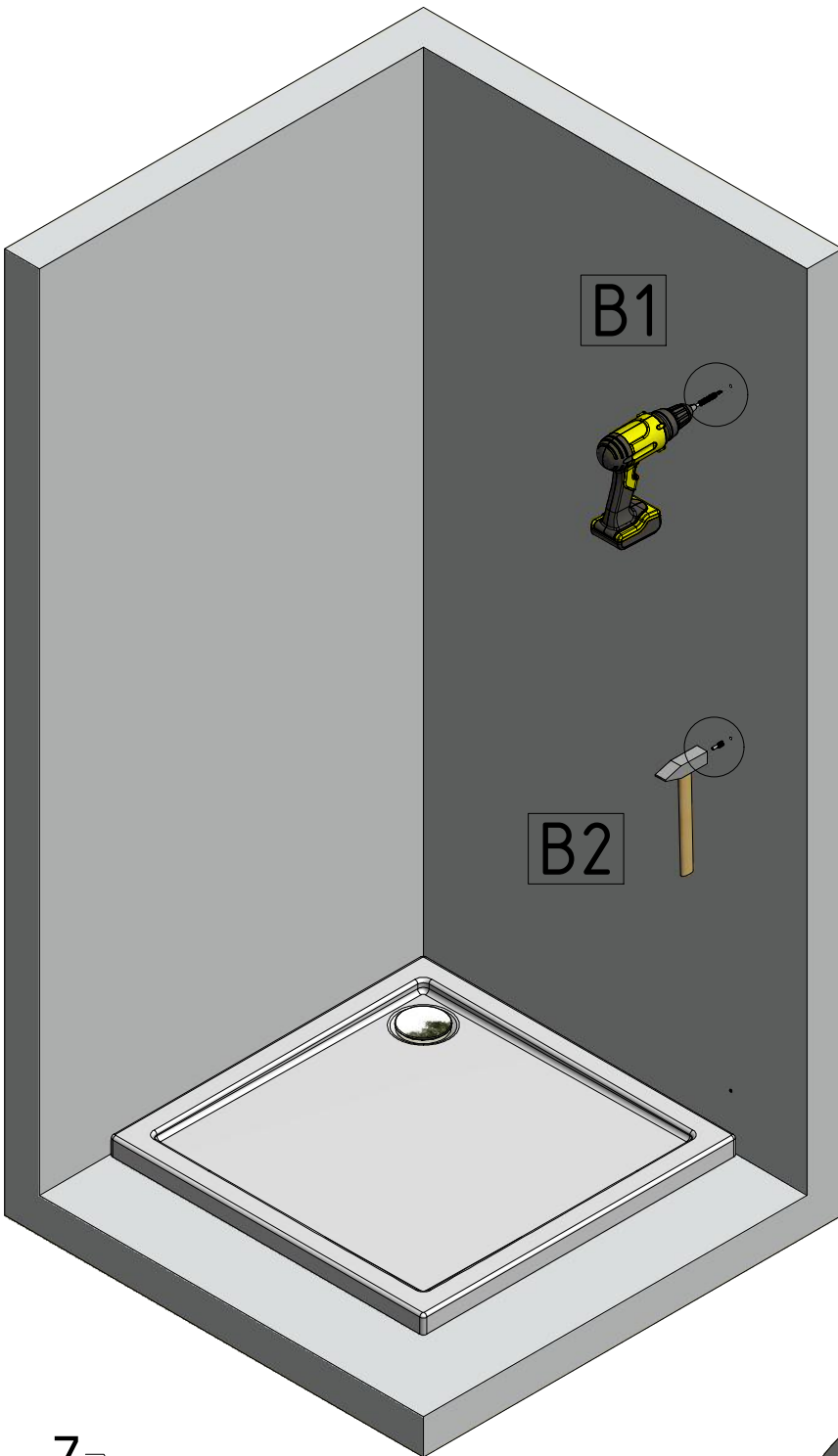
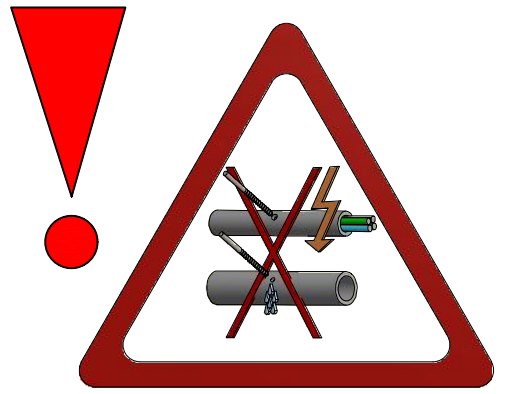
7. 4x
M0511

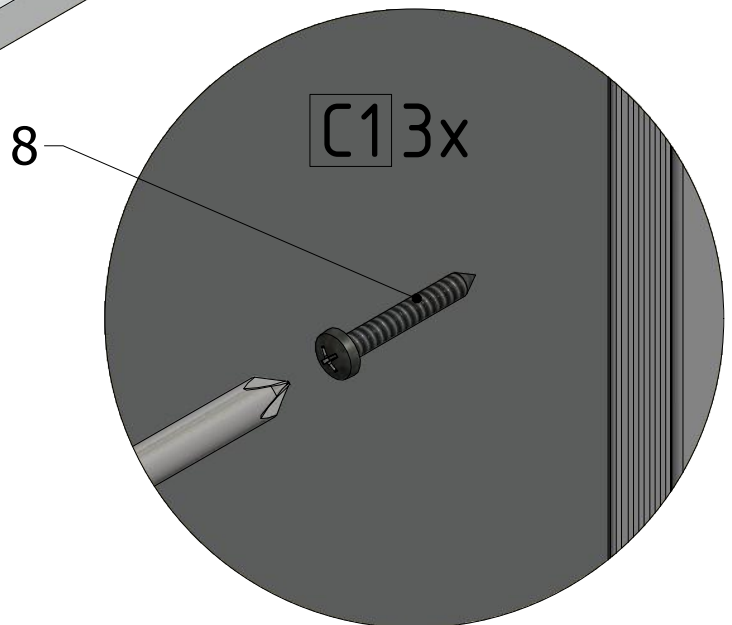
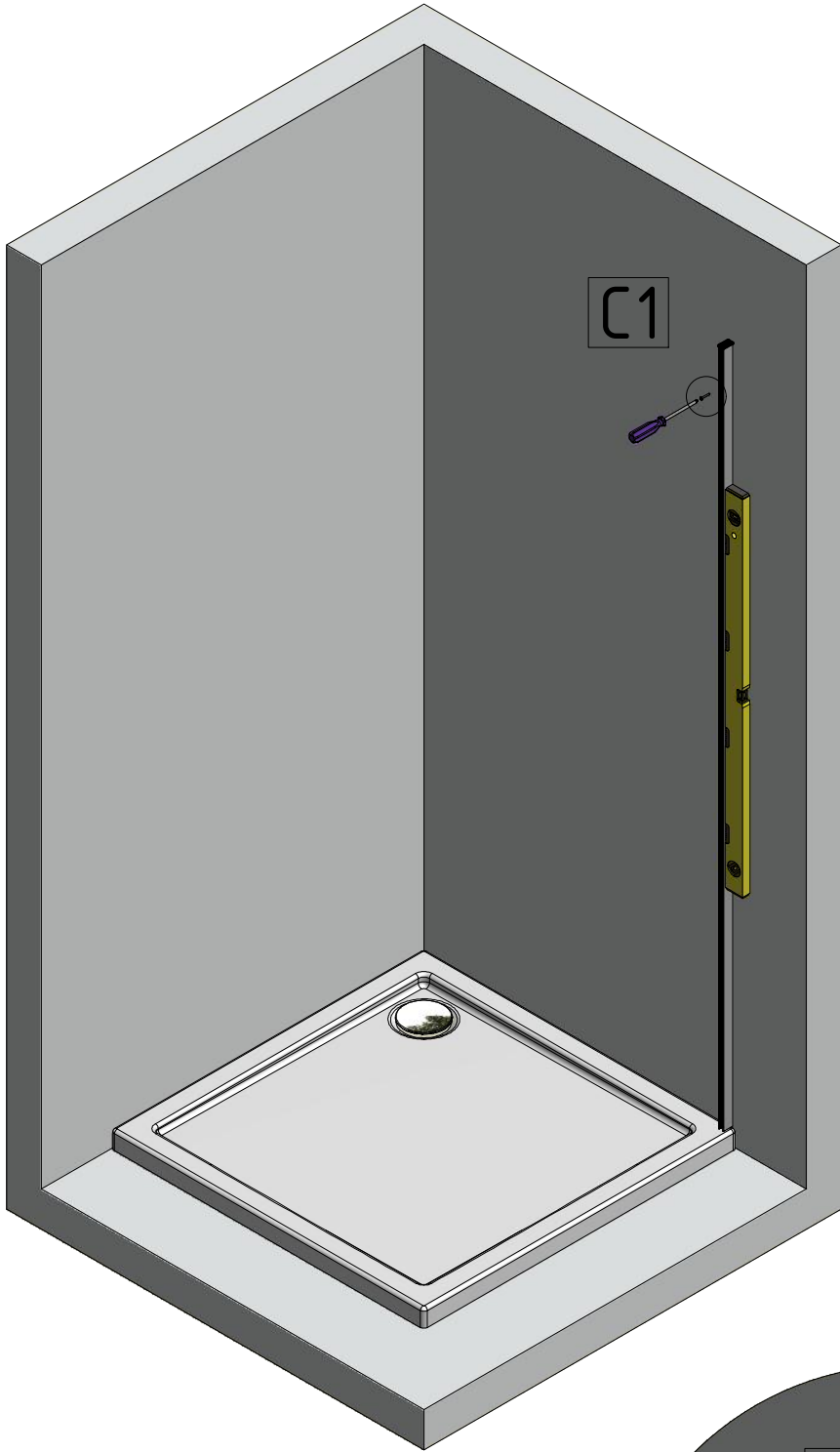


8. 4x
M0811



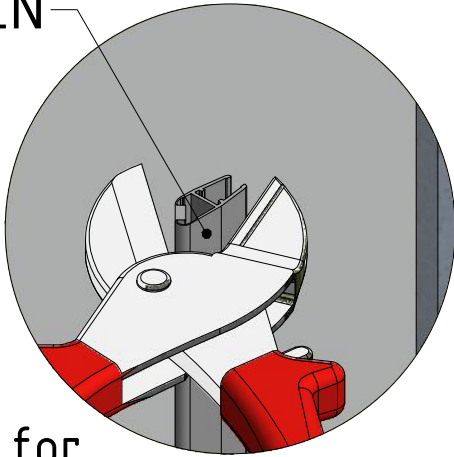






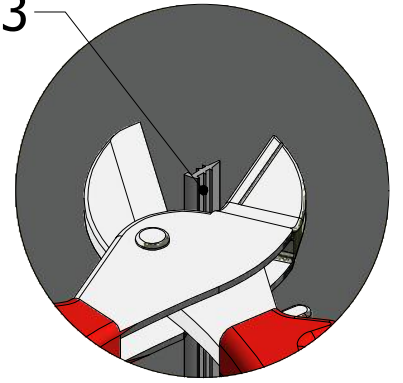
From GDO1N

D1



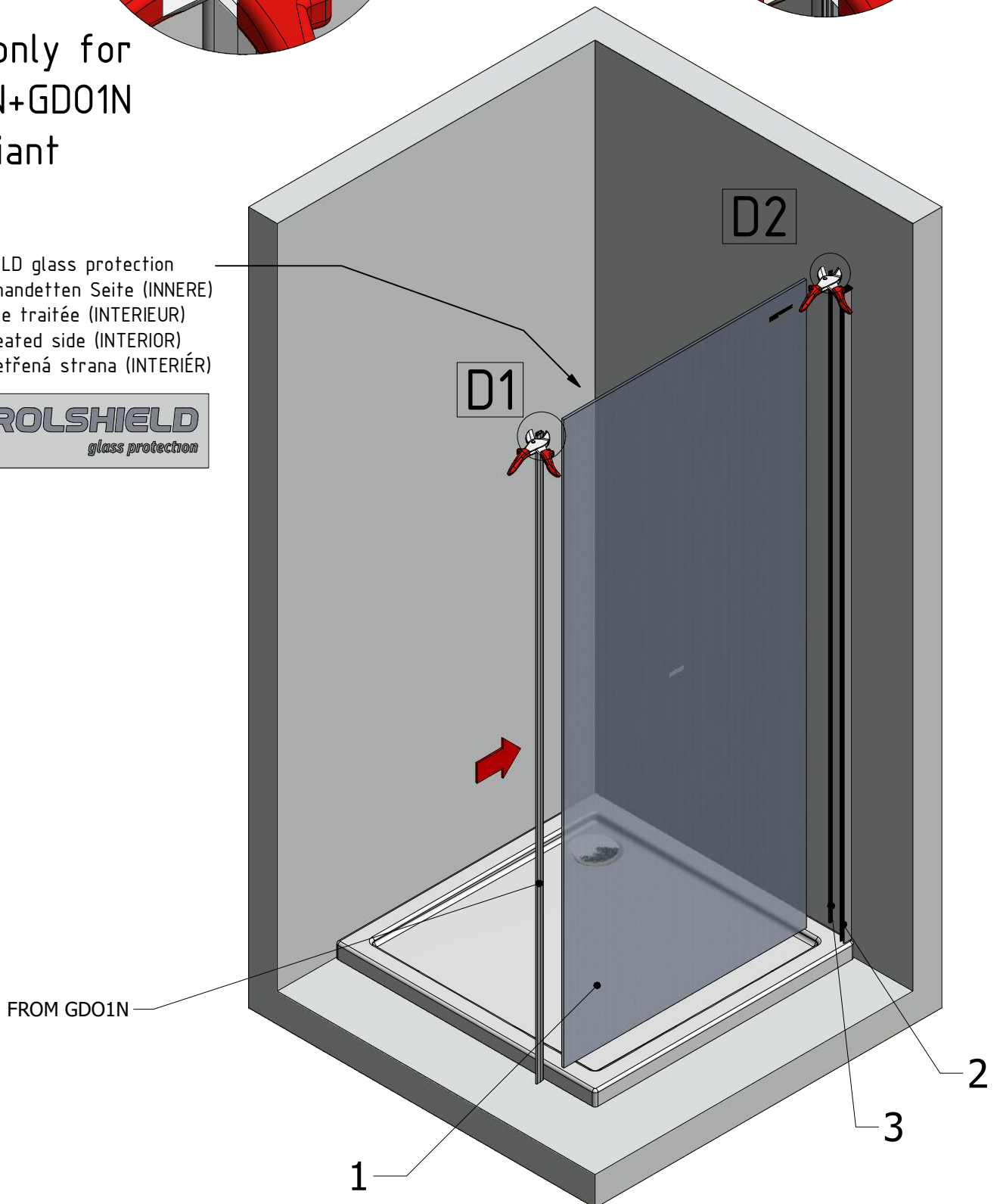
D2 1x

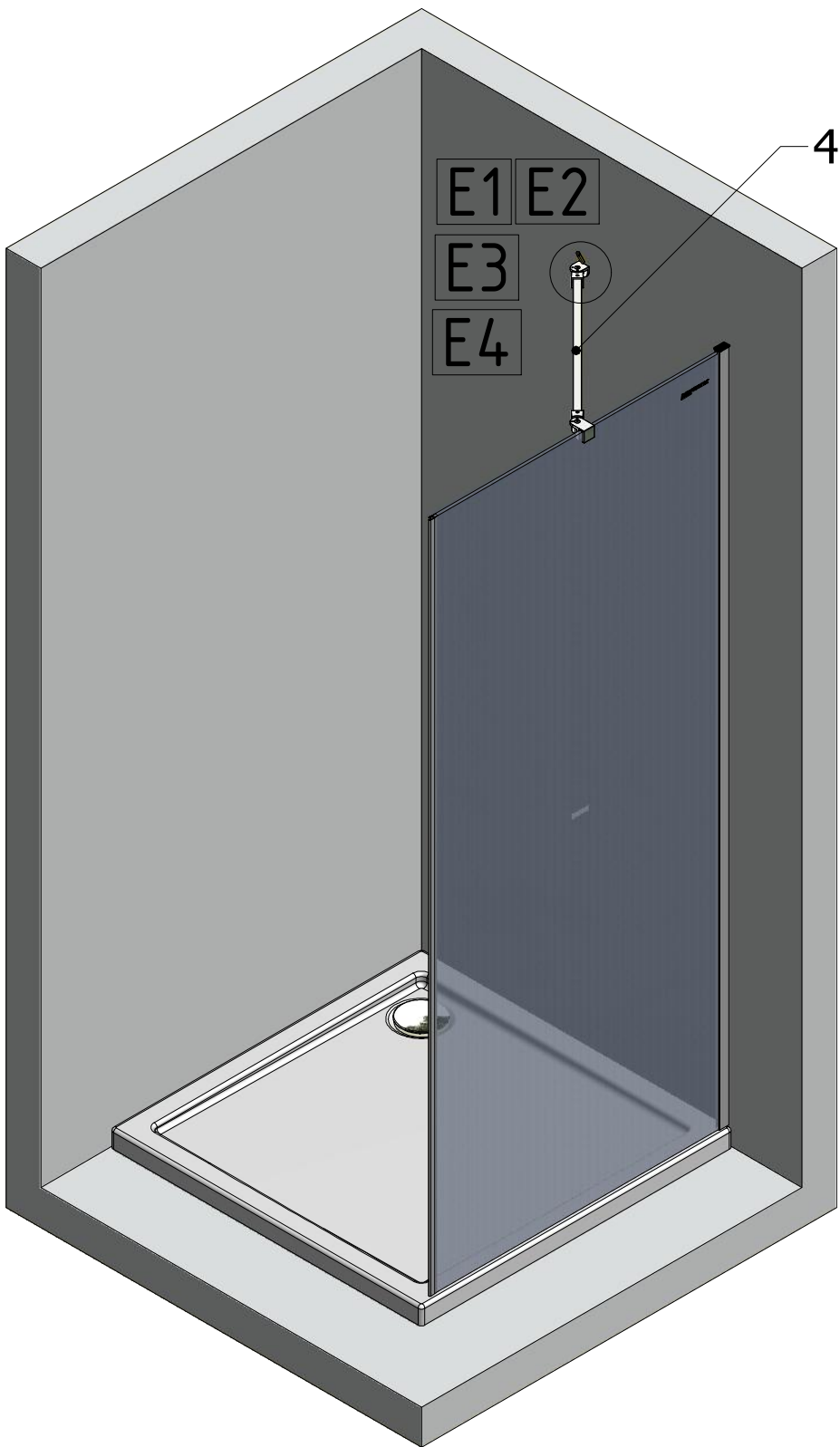
3



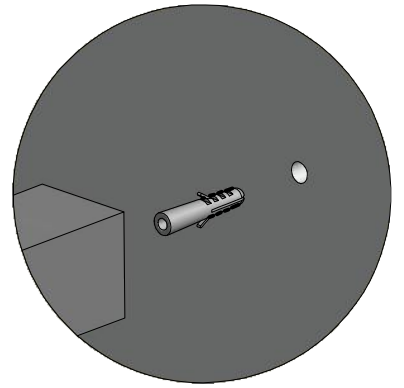
1x only for
GBN+GDO1N
variant

ROLSHIELD glass protection
(DE) Behandelten Seite (INNERE)
(FR) Face traitée (INTERIEUR)
(GB) Treated side (INTERIOR)
(CZ) Ošetřená strana (INTERIÉR)

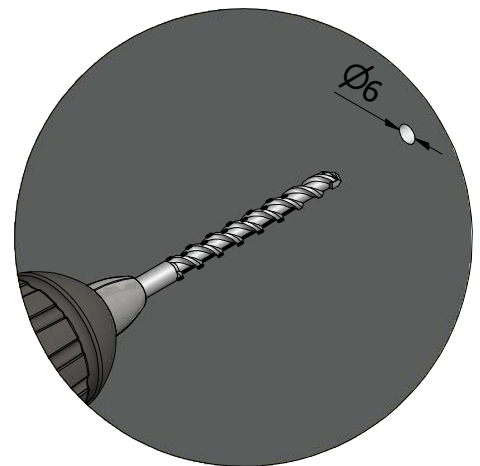




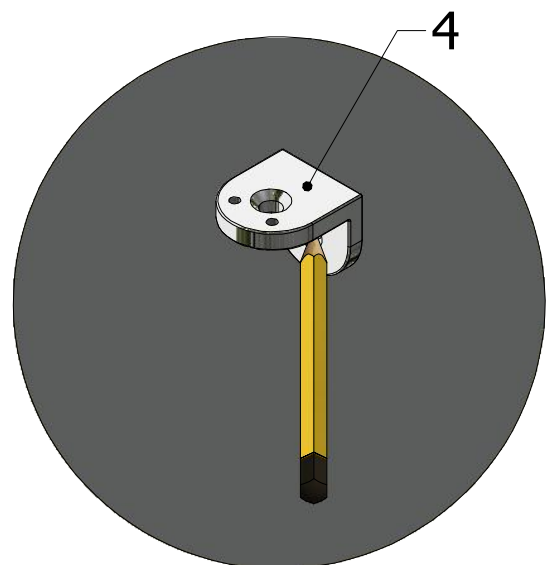
E4 1x



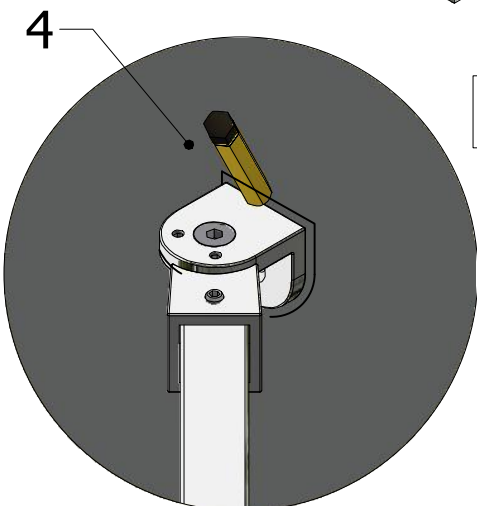
E3 1x



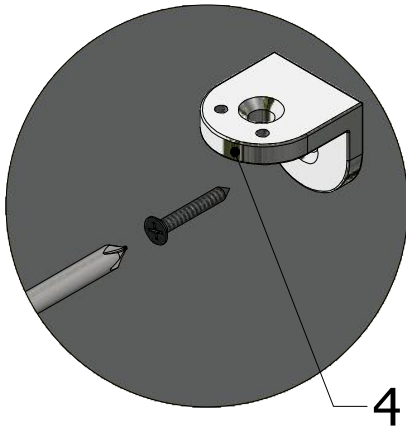
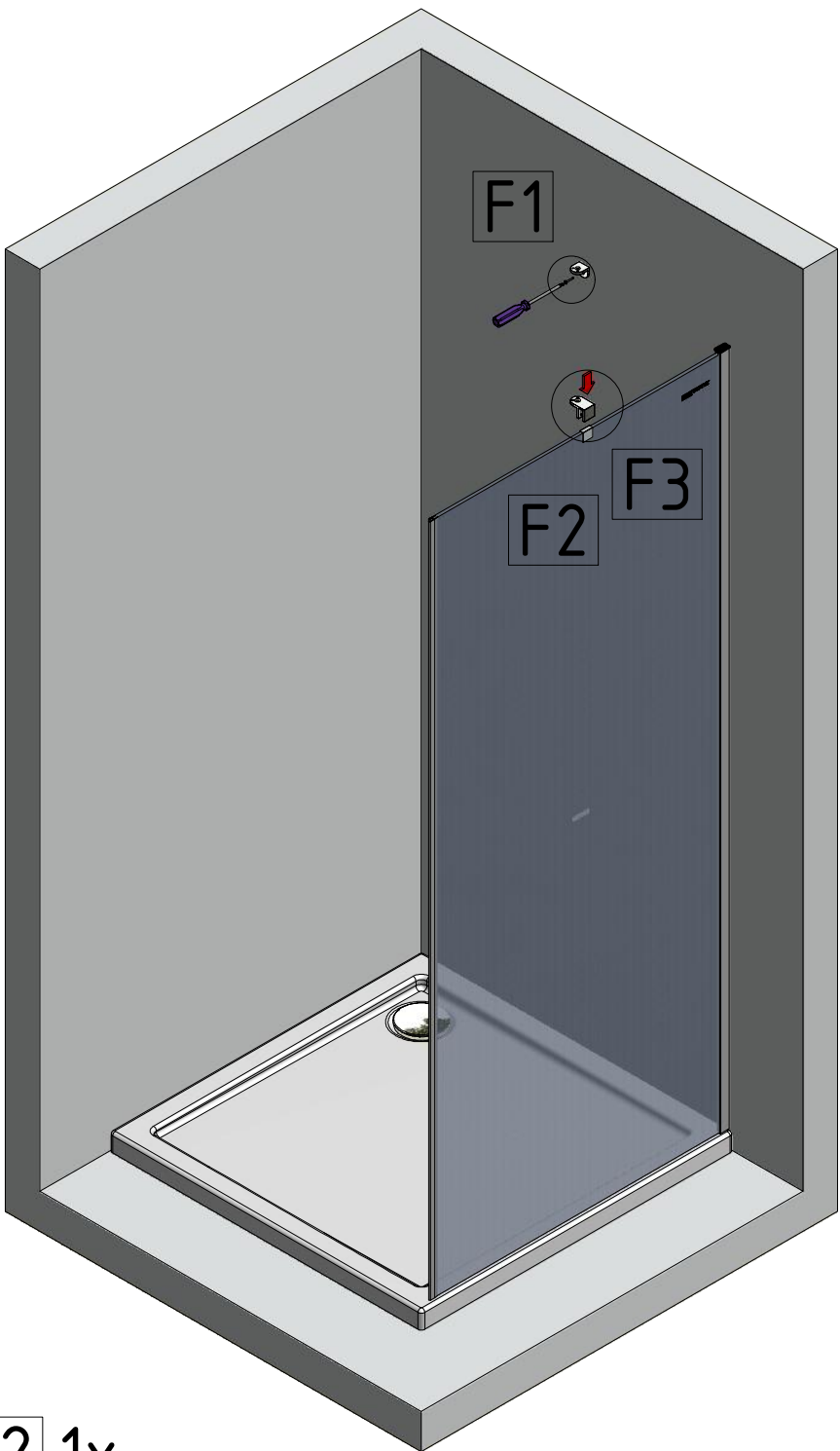
E2 1x



E1 1x

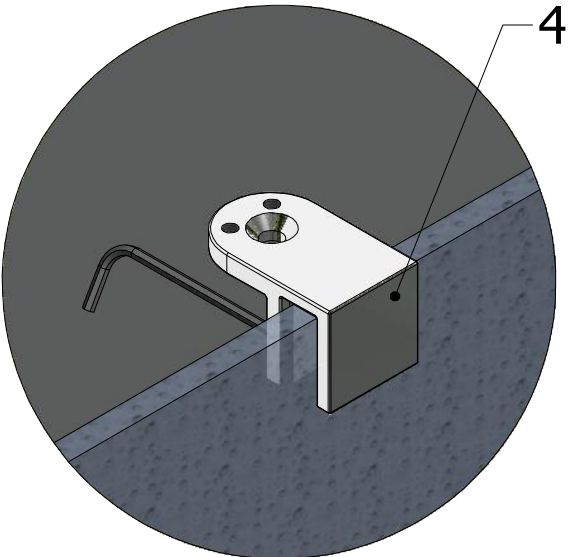
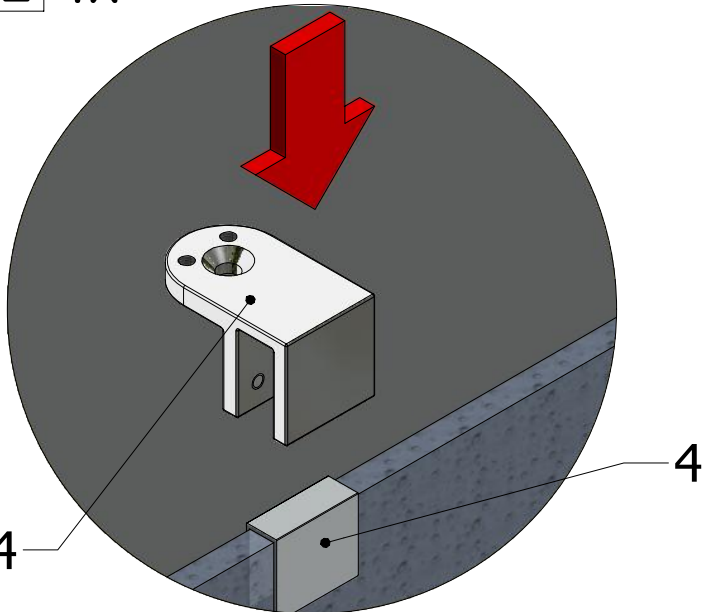


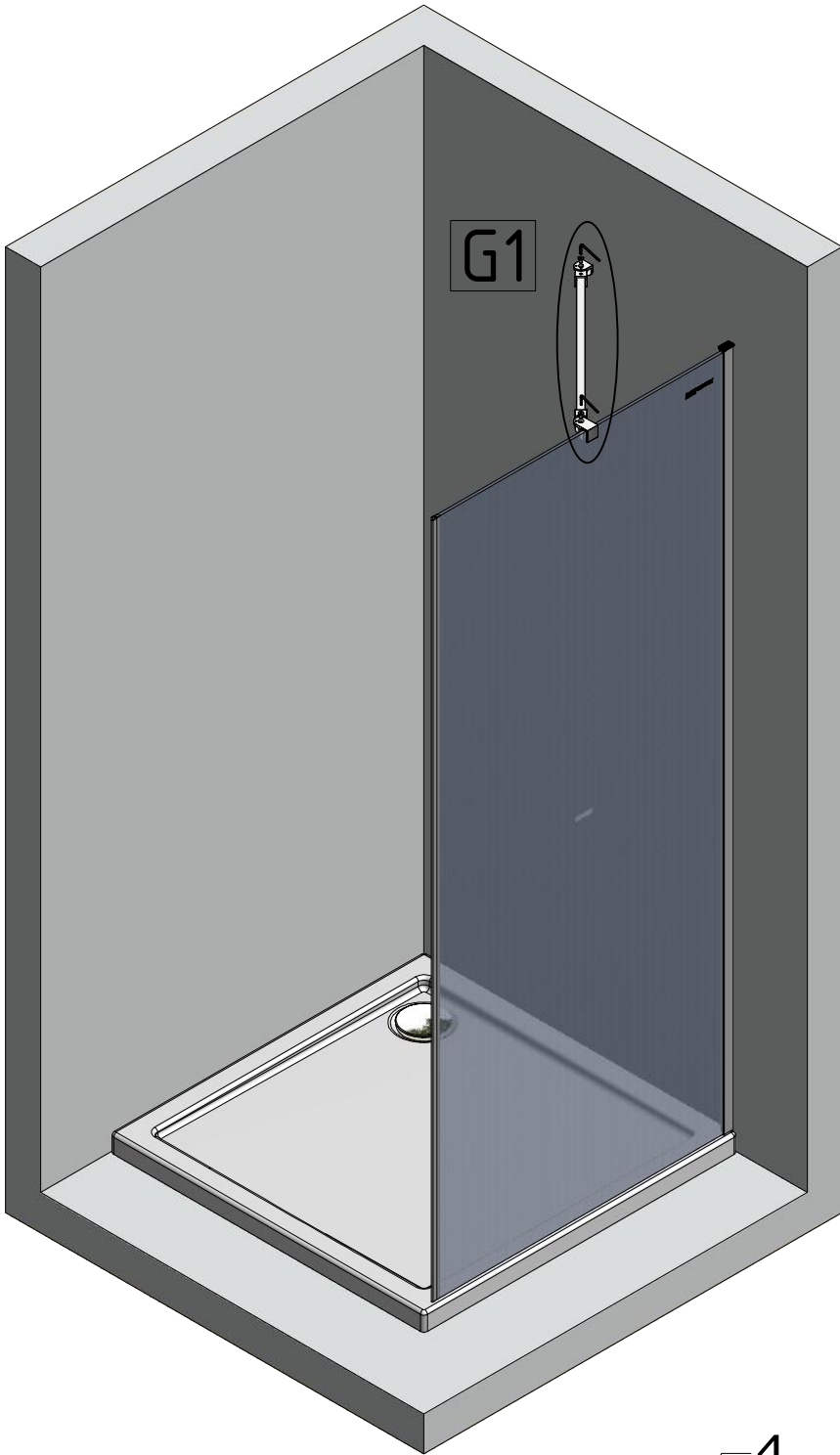
F1 1x



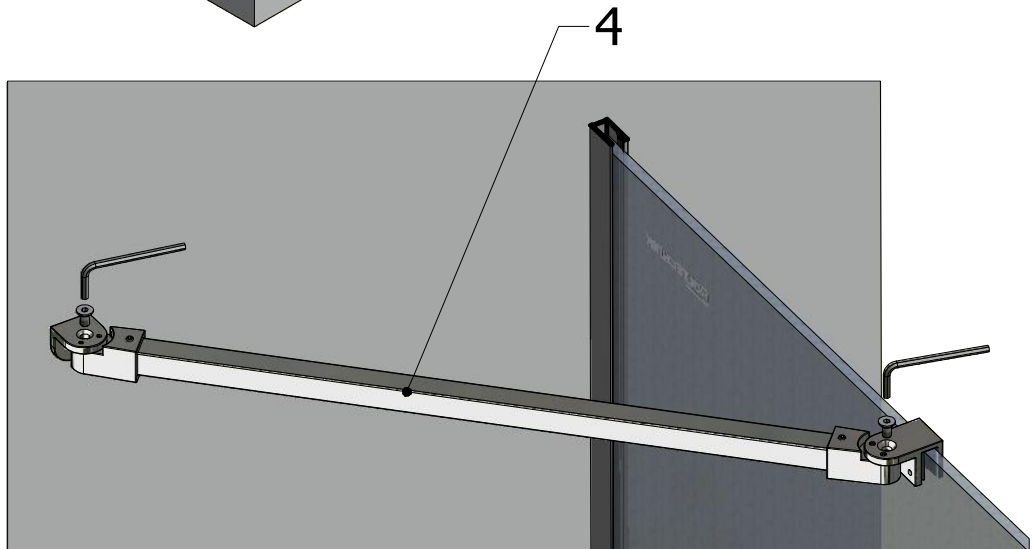
F3 1x

F2 1x

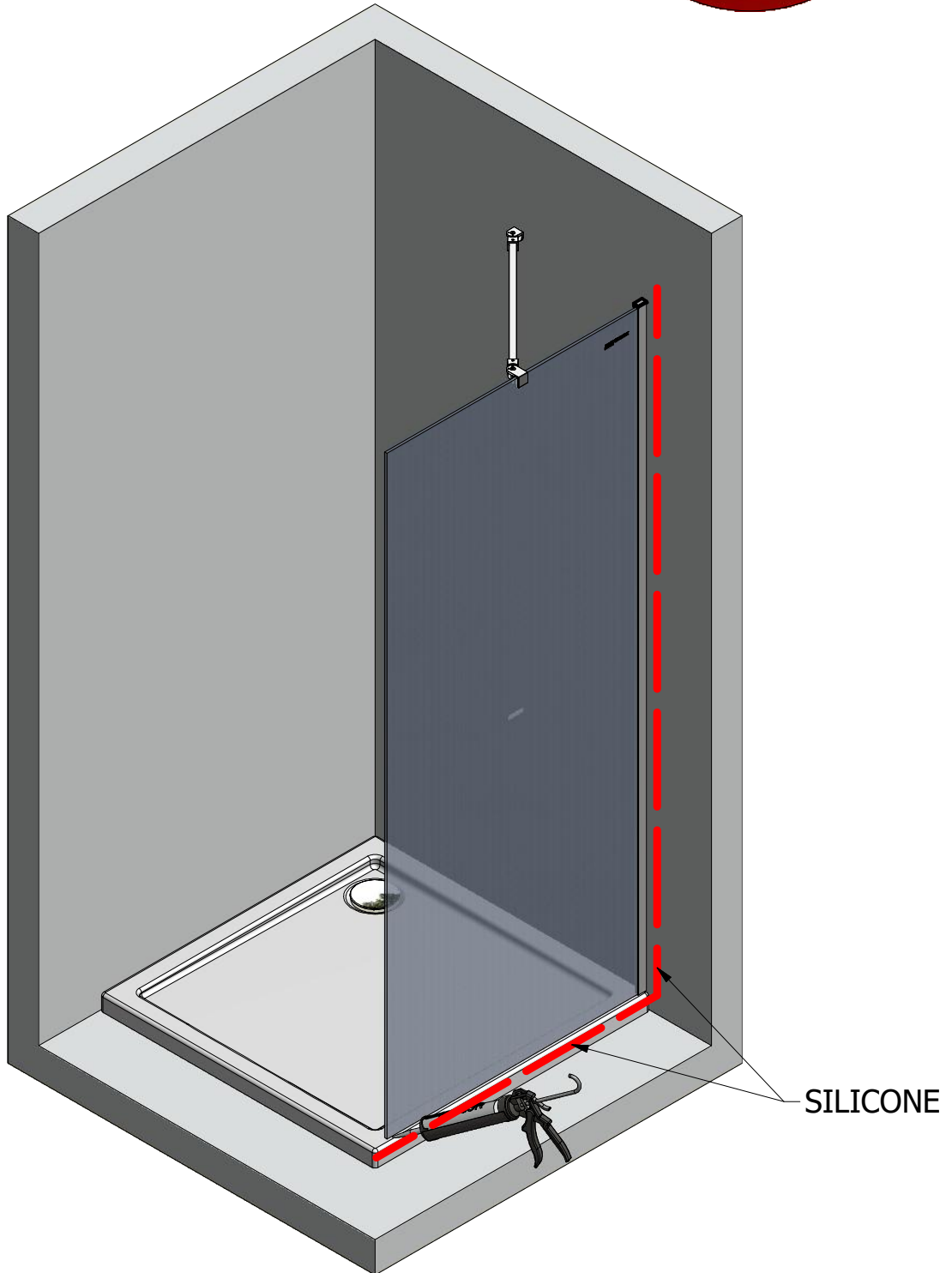




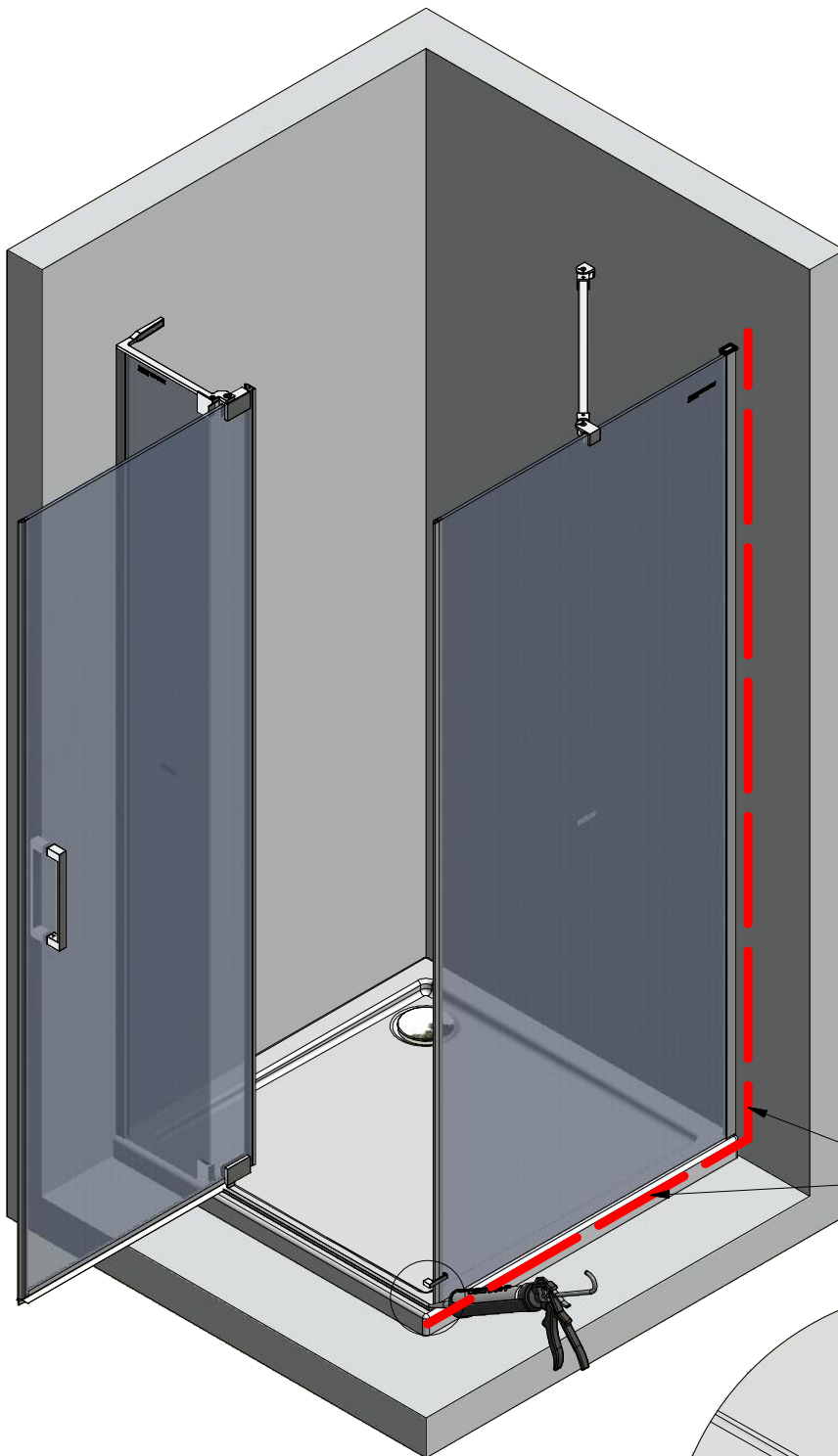
G2 1x



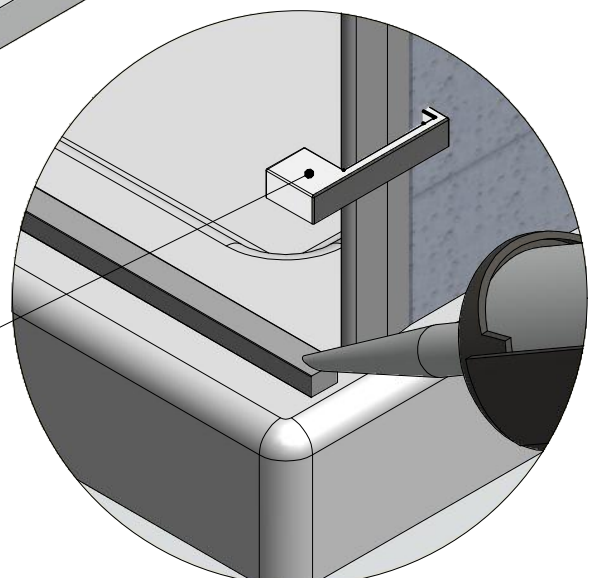
GBN



GBN + GDO1N

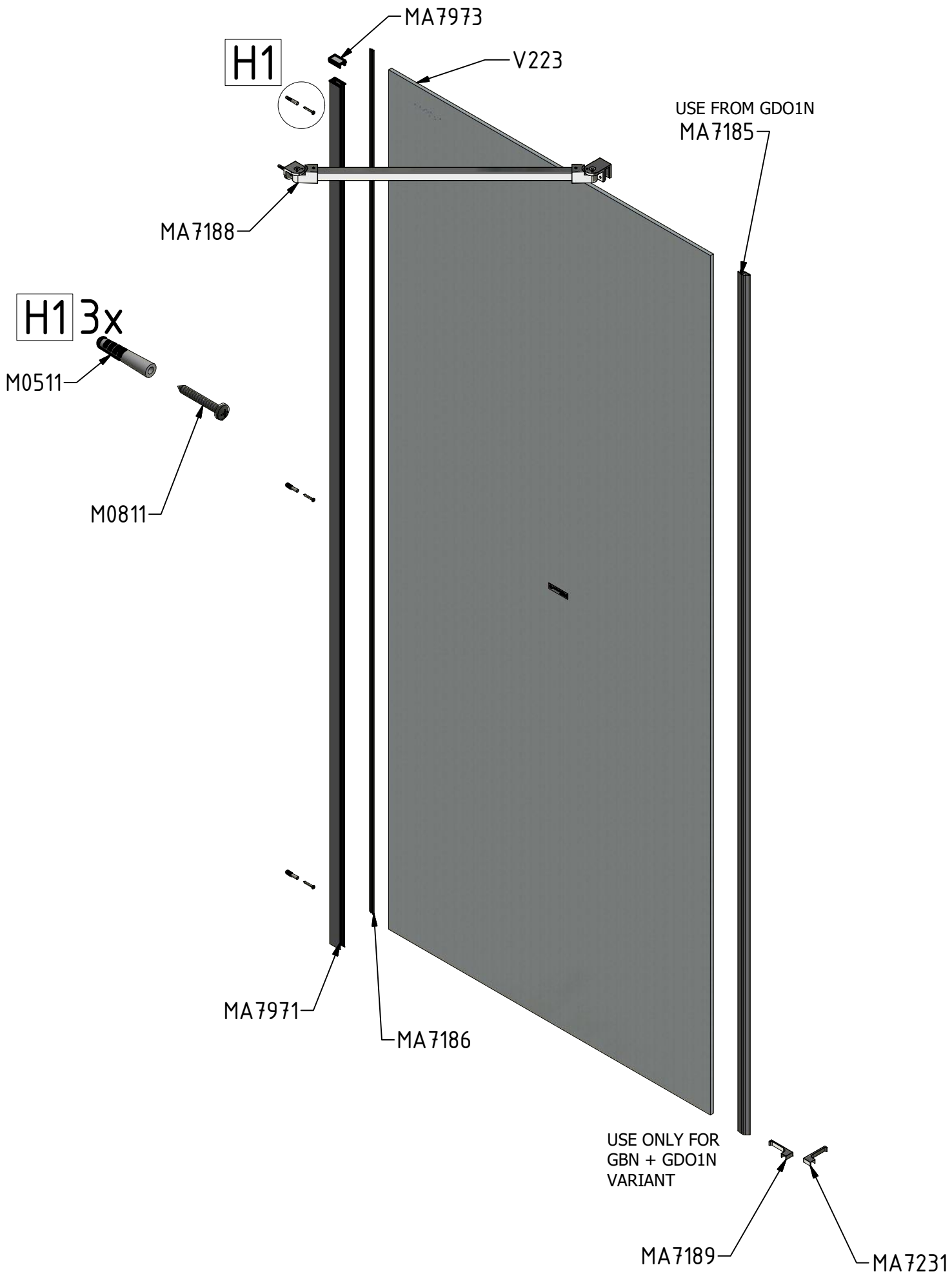


SILICONE



6

USE ONLY FOR
GBN + GDO1N
VARIANT



V223	800	Transparent	ND01-3645
	900		ND01-3646
	1000		ND01-3647